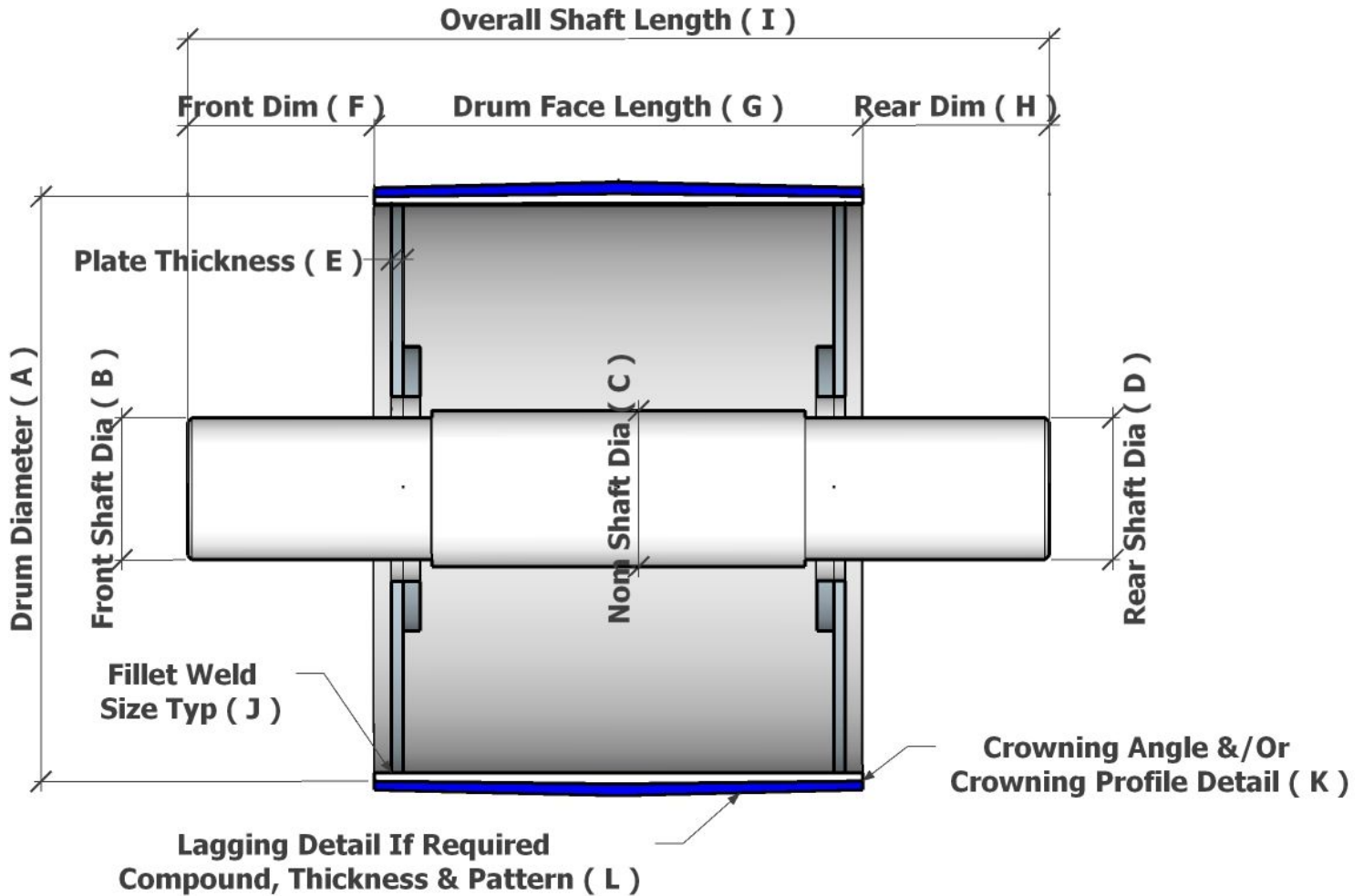


TAIL PULLEY – REMOVEABLE SHAFT

COMPANY NAME:	<input style="width: 100%;" type="text"/>		
CONTACTS NAME:	<input style="width: 30%;" type="text"/>	PH NO:	<input style="width: 30%;" type="text"/>
EMAIL ADDRESS:	<input style="width: 100%;" type="text"/>		



Qty	A	B	C	D	E	F	G	H	I	J
K	DETAILS:									
L	DETAILS:									

APPROVED TO MANUFACTURE BY: DATE:

SIGNATURE: JOB NO: